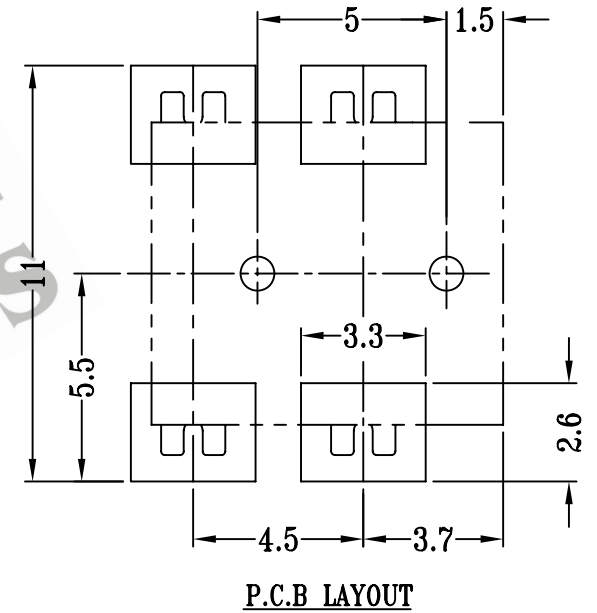
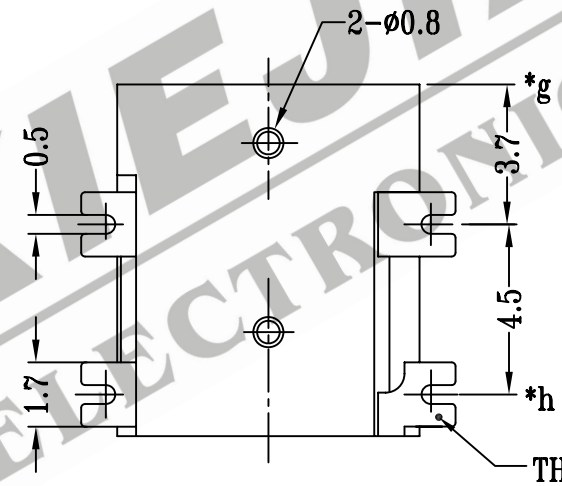
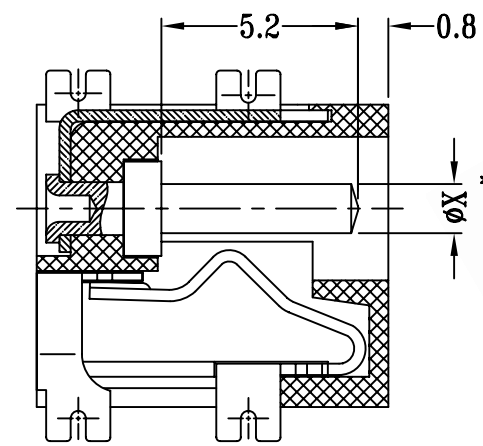
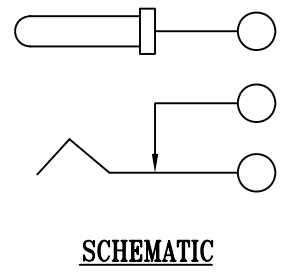
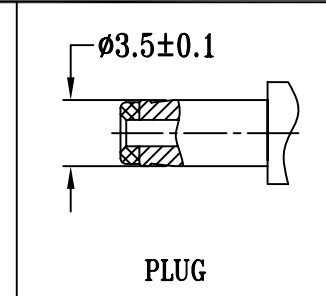
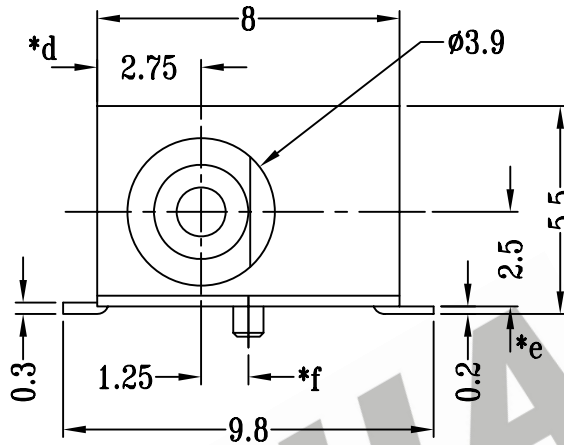
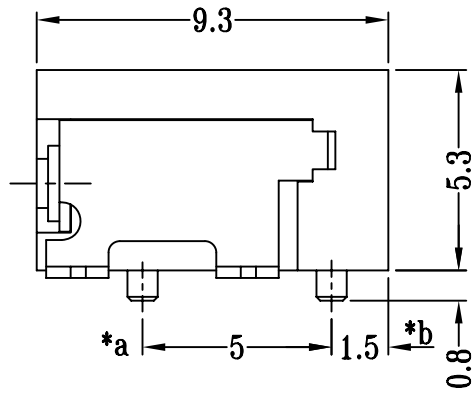


CAD FILE:



THK=0.2mm

注：“*”表示关键尺寸（8个）

DIA. OF PIN 'X' E = 1.0 MM
DIA. OF PIN 'X' D = 1.3 MM

				TOLERANCE UNLESS SPECIFIED		SHENZHEN XIEJIA ELECTRONICS CO.,LTD.				
				WITHIN: 1.5±0.1mm OVER : 1.5±0.2mm		ISSUE	DATE	DESCRIPTIONS		APPD.
5	PLUG PIN	BRASS	1	Ni PLATED	TITLE : DC POWER JACK MODEL: DS-420		UNIT : MM SCALE: 5:1		DRWG NO.: XJ-DR-DS420-00	
4	SPRING TERMINAL C	PBS STRIP	1	Ag PLATED OVER Ni PLATED						
3	TERMINAL B	BRASS STRIP	1	Ag PLATED OVER Ni PLATED						
2	TERMINAL A	BRASS STRIP	1	Ag PLATED OVER Ni PLATED						
1	CASE	NYLON+F.G+94V0	1	BLACK						
NO.	PART NAME	MATERIAL	QTY	FINISHING	ALL MATERIALS MUST BE COMPLIANT TO ROHS			APPD.	KANGXINAN	2005-10-16